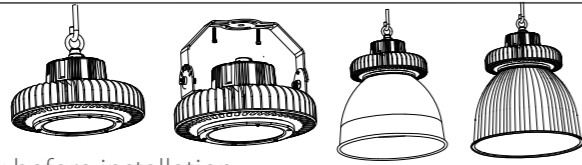


DIMMABLE UFO LED HIGH BAY



NOTICE:

- Please read the manual carefully before installation;
- Please read the specification first, to make sure the service environment matches the conditions in the specification before using;
- Please confirm input voltage, frequency before using;
- The luminaire must be installed by a qualified electrician;
- If the external flexible cable or cord of this luminaire is damaged, it shall be exclusively replaced by the manufacturer or his service agent or a similar qualified person in order to avoid a hazard;
- The light source of this luminaire is not replaceable; when the light source reaches its end of life the whole luminaire will require replacement;
- This product is designed for permanent connection to fixed wiring; the circuit should be protected with the appropriate MCB or fuse;
- At the top of this product there is a Potentiometer feature which can be used to adjust the output current/power. **Important:** If the lower output of the highbay is preferred then it's suggested that the installer should adjust the Potentiometer by using an insulated 2mm head Stanley screw driver. Turn the screwdriver either counter/clockwise until locked (do not force beyond the locked position).

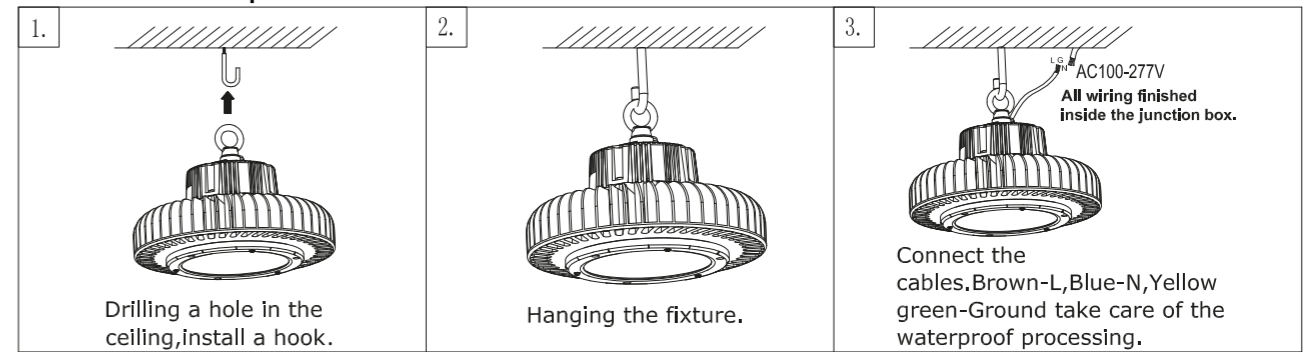
TECHNICAL PARAMETER:

SKU	HB-100D-ESS-5700K	HB-150D-ESS-5700K	HB-200D-ESS-5700K
Product/Parameter	100W LED Dimmable High Bay	150W LED Dimmable High Bay	200W LED Dimmable High Bay
LED Chip	SMD Samsung 2835	SMD Samsung 2835	SMD Samsung 2835
LED Quantity	168 PCS	224 PCS	294 PCS
Input Voltage	AC100-277V	AC100-277V	AC100-277V
Dimmable	Yes (1-10V)	Yes (1-10V)	Yes (1-10V)
Power Frequency	50/60 Hz	50/60 Hz	50/60 Hz
Rated Power	100W ~ 75W	150W ~ 110W	200W ~ 150W
Material	Die-Cast Aluminium	Die-Cast Aluminium	Die-Cast Aluminium
Lumen Output (Default)	100w: 13000L +/- 10%	150w: 19500L +/- 10%	200w: 26000L +/- 10%
Lumen Output (Low Setting)	75W: 9750L +/- 10%	110W: 14300L +/- 10%	150W: 19500L +/- 10%
Driver	LF-FHB100 YA	LF-FHB150 YA	LF-FHB200 YA
Luminous Efficiency	130lm/w	130lm/w	130lm/w
Working Temperature	-30° - +45°	-30° - +45°	-30° - +40°
Storing Temperature	-40° - +65°	-40° - +65°	-40° - +65°
Working Humidity	15% - 90% RH	15% - 90% RH	15% - 90% RH
Beam Angle	120°	120°	120°
Colour Tempertaure (Options)	4000K / 5000K / 57000K / 6500K	4000K / 5000K / 57000K / 6500K	4000K / 5000K / 57000K / 6500K
Net Weight	3.4KG ± 0.5	3.7KG ± 0.5	6.3KG ± 0.5
Gross Weight	4.2KG ± 0.5	4.5KG ± 0.5	7.1KG ± 0.5
Lamp Dimension	Ø252*H200mm	Ø252*H200mm	Ø295*H205.5mm
Package Size	L310*W310*H195mm	L310*W310*H195mm	L350*W350*H240mm
Reflector Option	Aluminium reflector 60/90 degree or PC reflector 70 degree		
Sensor Option	Merrytek Daylight Sensor or Merrytek MS (refer to Sensor Instructions if purchased)		

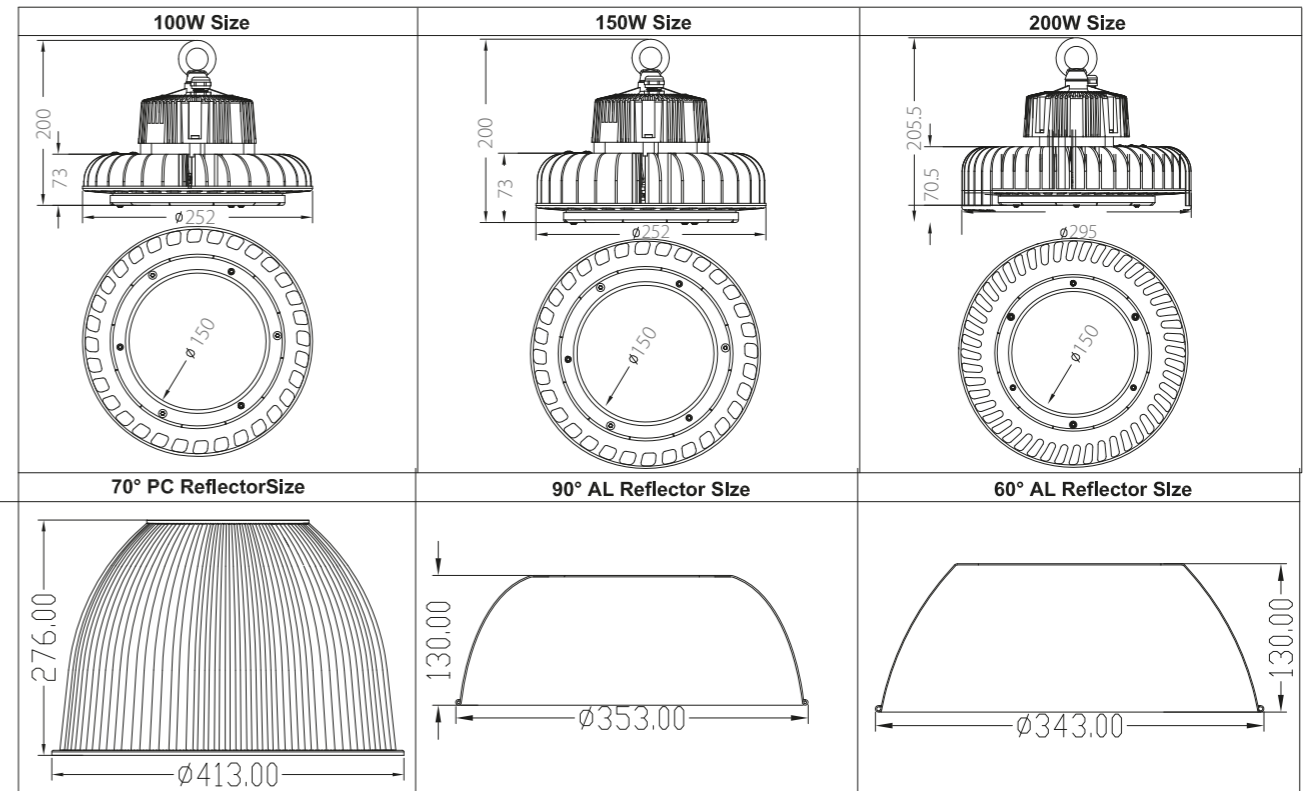
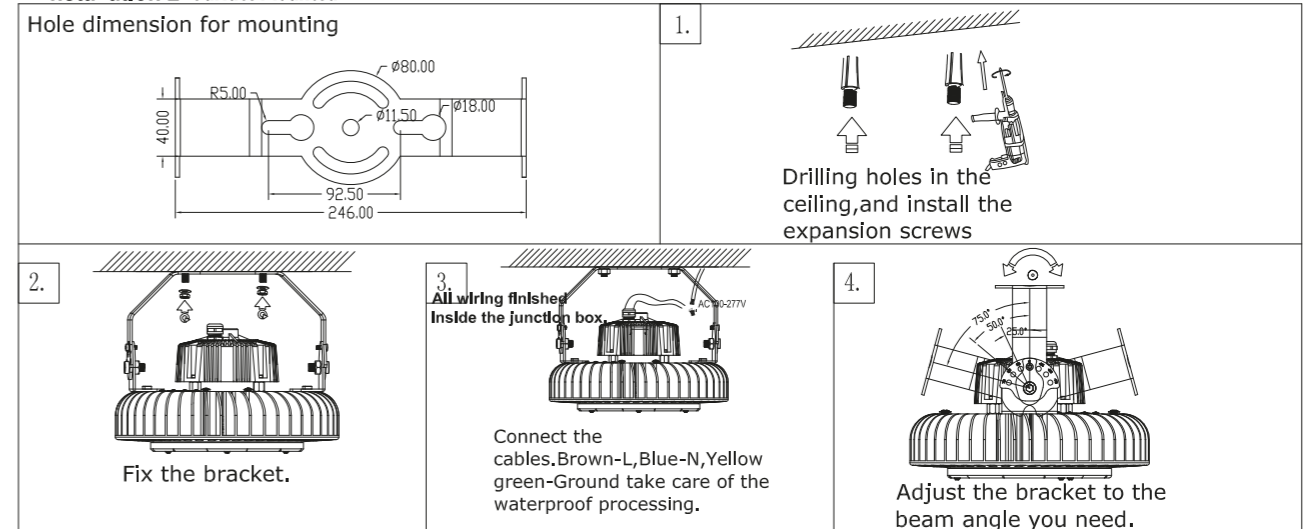
PACKAGE CONTENTS:

- 1pcs LED High Bay Light
- 1pcs Installation Ring

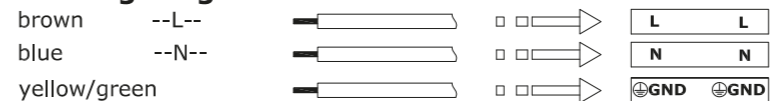
Installation instruction: Installation 1 - Suspended



Installation 2 - Surface Mounted



Wiring Diagram



For type Z attachments:
The external flexible cable or cord of this luminaire cannot be replaced; if the cord is damaged, the luminaire cannot be repaired it will need replacing.

Address

LUMILIFE LTD
Units 24-28, Finlan Road, Stakehill Industrial Estate
Middleton, Manchester, M24 2RW

Internet

www.lumilife.net
0800 652 1032

