

**Driver LCA 60W 900–1750mA one4all SR PRE**

PREMIUM series

**Product description**

- \_ Independent dimmable LED Driver
- \_ Output current adjustable between 900 – 1,750 mA via ready2mains Programmer, I-select 2 plugs or DALI
- \_ Max. output power 60 W
- \_ Up to 90 % efficiency
- \_ Power input on stand-by < 0.2 W
- \_ Dimming range 1 to 100 %
- \_ Nominal life-time up to 100,000 h
- \_ 5-year guarantee

**Housing properties**

- \_ Casing: polycarbonate, white
- \_ Type of protection IP20

**Interfaces**

- \_ one4all (DALI-2 DT 6, DSI, switchDIM, corridorFUNCTION)
- \_ ready2mains (configuration and dimming via mains)
- \_ Terminal blocks: 45° / 0° push terminals

**Functions**

- \_ Adjustable output current (DALI, ready2mains, I-select 2)
- \_ Constant light output function (CLO)
- \_ Power-up fading at AC
- \_ Configurable via ready2mains
- \_ Service monitor to log certain events
- \_ Protective features (overtemperature, short-circuit, overload, no-load, input voltage range, reduced surge amplification)
- \_ Suitable for emergency escape lighting systems acc. to EN 50172

**Benefits**

- \_ Application-oriented operating window for maximum compatibility
- \_ Best energy savings due to low stand-by losses and high efficiency
- \_ Flexible configuration via DALI, ready2mains and I-select 2
- \_ Reliability proven by life-time up to 100,000 h and 5-year guarantee

**Typical applications**

- \_ For linear/area lighting in office applications

**Website**

<http://www.tridonic.com/28000677>



Spotlights



Downlights



Linear



Area



Floor | Wall



Free-standing



Street



Decorative

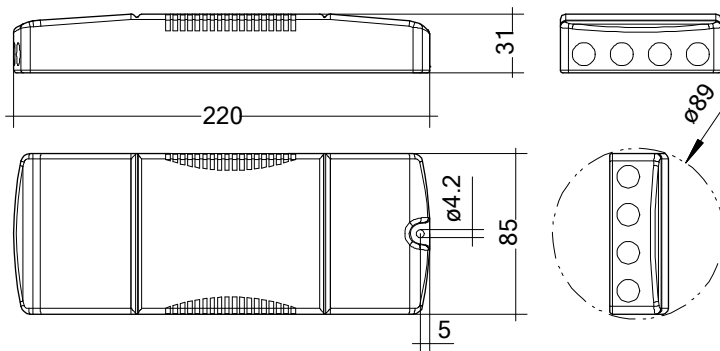


High bay

## Driver LCA 60W 900–1750mA one4all SR PRE

PREMIUM series

The complete data sheet for this product is available in the Downloads section.



## Ordering data

Type	Article number	Packaging, carton	Packaging, pallet	Weight per pc.
LCA 60W 900-1750mA one4all SR PRE	28000677	10 pc(s).	400 pc(s).	0.286 kg

## Technical data

Rated supply voltage	220 – 240 V
AC voltage range	198 – 264 V
DC voltage range	176 – 280 V
Mains frequency	0 / 50 / 60 Hz
Overvoltage protection	320 V AC, 48 h
Typ. current (at 230 V, 50 Hz, full load) <sup>①②</sup>	241 – 293 mA
Typ. current (220 V, 0 Hz, full load, 15 % dimming level) <sup>②</sup>	43 – 54 mA
Leakage current (at 230 V, 50 Hz, full load) <sup>①②</sup>	< 700 µA
Max. input power	70 W
Typ. efficiency (at 230 V, 50 Hz, full load) <sup>②</sup>	90 %
λ (at 230 V, 50 Hz, full load)	0.98C
Typ. power input on stand-by <sup>③</sup>	< 0.2 W
Typ. input current in no-load operation	22 mA
Typ. input power in no-load operation	0.5 W
In-rush current (peak / duration)	26 A / 264 µs
THD (at 230 V, 50 Hz, full load) <sup>①</sup>	< 7 %
Time to light (at 230 V, 50 Hz, full load) <sup>①</sup>	< 0.7 s
Time to light (DC mode)	< 0.4 s
Switchover time (AC/DC)	< 0.4 s
Turn off time (at 230 V, 50 Hz, full load)	< 30 ms
Output current tolerance <sup>①④</sup>	± 3 %
Max. output current peak (non-repetitive)	≤ output current + 40 %
Output LF current ripple (< 120 Hz)	± 3 %
Max. output voltage (U-OUT)	60 V
Dimming range	1 – 100 %
Mains surge capability (between L - N)	1 kV
Mains surge capability (between L/N - PE)	2 kV
Surge voltage at output side (against PE)	< 500 V
Dimensions L x W x H	220 x 85 x 31 mm

## Approval marks



## Standards

EN 55015, EN 61000-3-2, EN 61000-3-3, EN 61347-1, EN 61347-2-13, EN 62384, EN 61547, EN 62386-101 (DALI-2), EN 62386-102 (DALI-2), EN 62386-207 (DALI-2), Acc. to EN 50172, Acc. to EN 60598-2-22

## Specific technical data

Type	Output current <sup>①</sup>	Min. forward voltage	Max. forward voltage	Max. output power	Typ. power consumption (at 230 V, 50 Hz, full load)	Typ. current consumption (at 230 V, 50 Hz, full load)	tc point max.	Ambient temperature ta	I-select 2 resistor value <sup>②</sup>
LCA 60W 900-1750mA one4all SR PRE	900 mA	20 V	54.0 V	48.6 W	54.0 W	241 mA	75 °C	-25 ... +50 °C	-
LCA 60W 900-1750mA one4all SR PRE	950 mA	20 V	54.0 V	51.3 W	57.3 W	254 mA	75 °C	-25 ... +50 °C	5.26 kΩ
LCA 60W 900-1750mA one4all SR PRE	1,000 mA	20 V	54.0 V	54.0 W	60.1 W	267 mA	75 °C	-25 ... +50 °C	5.00 kΩ
LCA 60W 900-1750mA one4all SR PRE	1,050 mA	20 V	54.0 V	56.7 W	63.3 W	281 mA	75 °C	-25 ... +50 °C	4.76 kΩ
LCA 60W 900-1750mA one4all SR PRE	1,100 mA	20 V	54.0 V	59.4 W	65.9 W	292 mA	75 °C	-25 ... +50 °C	4.55 kΩ
LCA 60W 900-1750mA one4all SR PRE	1,150 mA	20 V	52.2 V	60.0 W	66.7 W	295 mA	75 °C	-25 ... +50 °C	4.35 kΩ
LCA 60W 900-1750mA one4all SR PRE	1,200 mA	20 V	50.0 V	60.0 W	66.5 W	294 mA	75 °C	-25 ... +50 °C	4.17 kΩ
LCA 60W 900-1750mA one4all SR PRE	1,250 mA	20 V	48.0 V	60.0 W	66.8 W	295 mA	75 °C	-25 ... +50 °C	4.00 kΩ
LCA 60W 900-1750mA one4all SR PRE	1,300 mA	20 V	46.2 V	60.0 W	66.2 W	293 mA	70 °C	-25 ... +50 °C	3.85 kΩ
LCA 60W 900-1750mA one4all SR PRE	1,350 mA	20 V	44.4 V	60.0 W	66.4 W	294 mA	70 °C	-25 ... +50 °C	3.70 kΩ
LCA 60W 900-1750mA one4all SR PRE	1,400 mA	20 V	42.9 V	60.0 W	66.3 W	294 mA	70 °C	-25 ... +50 °C	3.57 kΩ
LCA 60W 900-1750mA one4all SR PRE	1,450 mA	20 V	41.4 V	60.0 W	66.8 W	295 mA	70 °C	-25 ... +50 °C	3.45 kΩ
LCA 60W 900-1750mA one4all SR PRE	1,500 mA	20 V	40.0 V	60.0 W	66.3 W	293 mA	70 °C	-25 ... +50 °C	3.33 kΩ
LCA 60W 900-1750mA one4all SR PRE	1,550 mA	20 V	38.7 V	60.0 W	66.0 W	292 mA	70 °C	-25 ... +50 °C	3.23 kΩ
LCA 60W 900-1750mA one4all SR PRE	1,600 mA	20 V	37.5 V	60.0 W	66.2 W	293 mA	70 °C	-25 ... +50 °C	3.13 kΩ
LCA 60W 900-1750mA one4all SR PRE	1,650 mA	20 V	36.4 V	60.0 W	66.8 W	295 mA	70 °C	-25 ... +50 °C	3.03 kΩ
LCA 60W 900-1750mA one4all SR PRE	1,700 mA	20 V	35.3 V	60.0 W	66.0 W	292 mA	70 °C	-25 ... +50 °C	2.94 kΩ
LCA 60W 900-1750mA one4all SR PRE	1,750 mA	20 V	34.3 V	60.0 W	66.2 W	293 mA	70 °C	-25 ... +50 °C	0.00 kΩ

① Valid at 100 % dimming level.

② Depending on the selected output current.

③ Depending on the DALI traffic at the interface.

④ Output current is mean value.

⑤ The table only lists a number of possible operating points but does not cover each single point. The output current can be set within the total value range in 1-mA-steps.

⑥ Not compatible with I-select (generation 1).